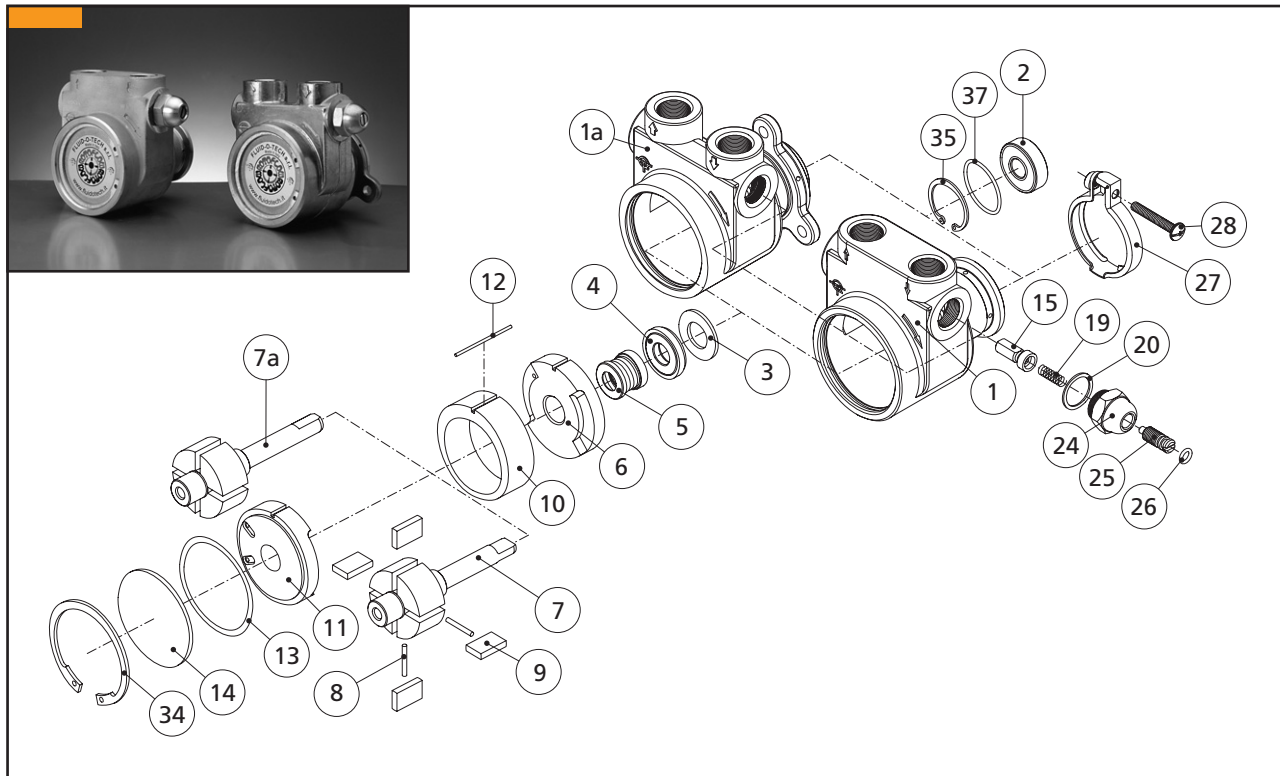


Fluid-o-Tech high volume rotary vane pumps spare parts list



POS.	DESCRIPTION	MATERIAL	CODE	NOTES
1	HOUSING WITH BY-PASS	BRASS	28017	1/2" NPT
		S.S.	28019	1/2" NPT
1a	HOUSING WITH BY-PASS AND FLANGE	BRASS	28039	1/2" NPT
		S.S.	28040	1/2" NPT
2	BALL BEARING		22084	
3	WASHER	S.S.	22113	
4	SEAL COUNTERFACE	CERAMIC/NBR	22232	NSF
		CERAMIC/VITON®	22720	
		CERAMIC/EPDM	22437	
5	SEAL	GRAPHITE/NBR	22112	NSF
		GRAPHITE/VITON®	22719	
		GRAPHITE/EPDM	22436	
6	REAR FLANGE	GRAPHITE	28-03-04	
7	ROTOR	S.S.	28003	
7a	"D" ROTOR (FLANGE)	S.S.	28038	
8	PIN	S.S.	28063	500 l/h
			28024	600 l/h
			28064	700 l/h
			28004	800 l/h
			28065	900 l/h
			28026	1000 l/h
9	VANE	GRAPHITE	28005	

Fluid-o-Tech high volume rotary vane pumps spare parts list

POS.	DESCRIPTION	MATERIAL	CODE	NOTES
10	LINER	GRAPHITE	28051	500 l/h
			28023	600 l/h
			28062	700 l/h
			28006	800 l/h
			28061	900 l/h
			28025	1000 l/h
11	FRONT FLANGE	GRAPHITE	28-03-03	
12	ALIGNMENT PIN	S.S.	28008	
13	CAP O-RING	NBR	28009	NSF, WRAS
		VITON®	28021	
		EPDM	28068	
14	CAP	S.S.	28015	
15	SOLID BY-PASS VALVE	BRASS	22306	
		S.S.	22129	
		PLASTIC	22540	
19	SPRING	S.S.	22505	
20	WASHER	NYLON®	22054	NSF
		PTFE	22666	NSF, WRAS
24	BY-PASS NUT	BRASS	22506	
		S.S.	22519	
25	BY-PASS SCREW	BRASS	28071	
		S.S.	28072	
26	BY-PASS SCREW O-RING	NBR	22055	NSF, WRAS
		VITON®	22120	
		EPDM	22475	
27	CLAMP	S.S.	22109	
28	CLAMP SCREW	S.S.	22549	
27+28	ASSEMBLED CLAMP	S.S.	22056	
34	FRONT SEEGER CIRCLIP	STEEL	28016	
35	REAR SEEGER CIRCLIP	STEEL	22083	
37	O-RING	NBR	22504	

Fluid-o-Tech reserves the right to alter the specifications indicated in this catalogue at any time and without prior notice.

SPARES – HV – 03/06 Ed.

Fluid-o-Tech srl
Via Morimondo, 23
20143 Milano - Italy
Tel. +39 (02) 8917071
Fax +39 (02) 89170799

Fluid-o-Tech Int'l Inc.
161 Atwater St.,
Plantsville CT (USA) 06479
Tel. +1 (860) 276-9270
Fax +1 (860) 620-0193

Fluid-o-Tech Int'l Inc. Japan
203, 2-17-19, Ebara, Shinagawa
Tokyo 142-0063, Japan
Tel. +81 (0) (3) 3783-9660
Fax +81 (0) (3) 3783-9661

Fluid-o-Tech China
Jingwei Industrial Zone,
Beifang Huairou, Beijing, 101400, PRC
Tel. +86 (0) (10) 61684650
Fax +86 (0) (10) 61684651